

FIG a

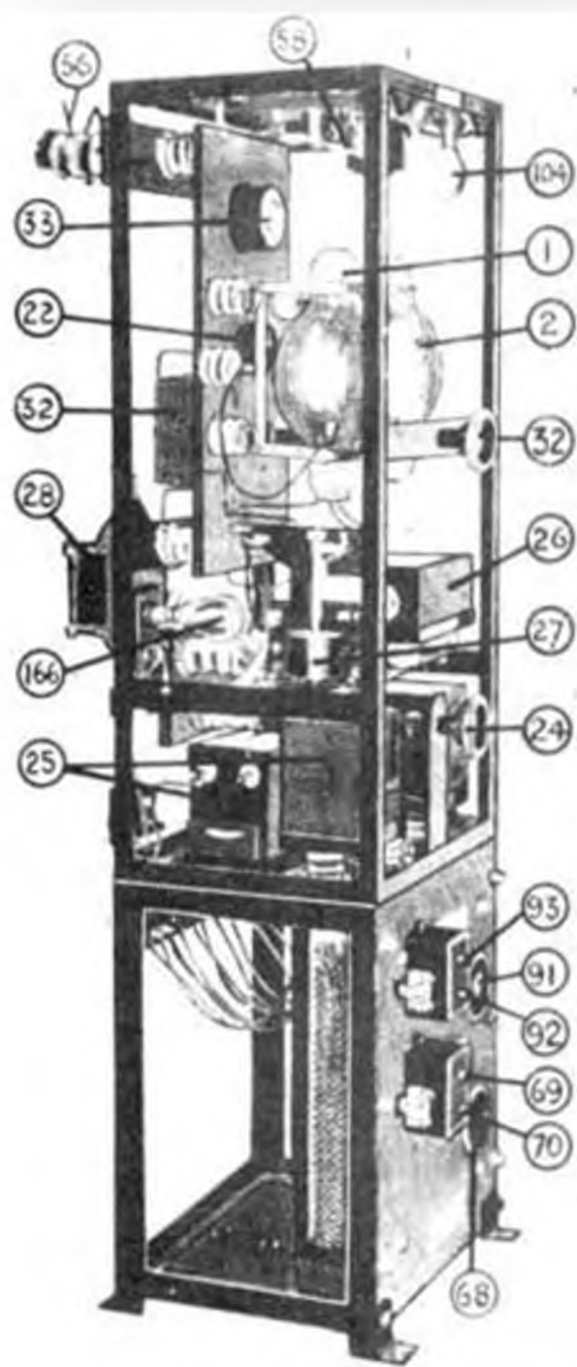


FIG b

PANEL 3K RECTIFYING
UPPER

PANEL 3K RECTIFYING
LOWER

TYPE 37S DC AUXILIARY CIRCUITS

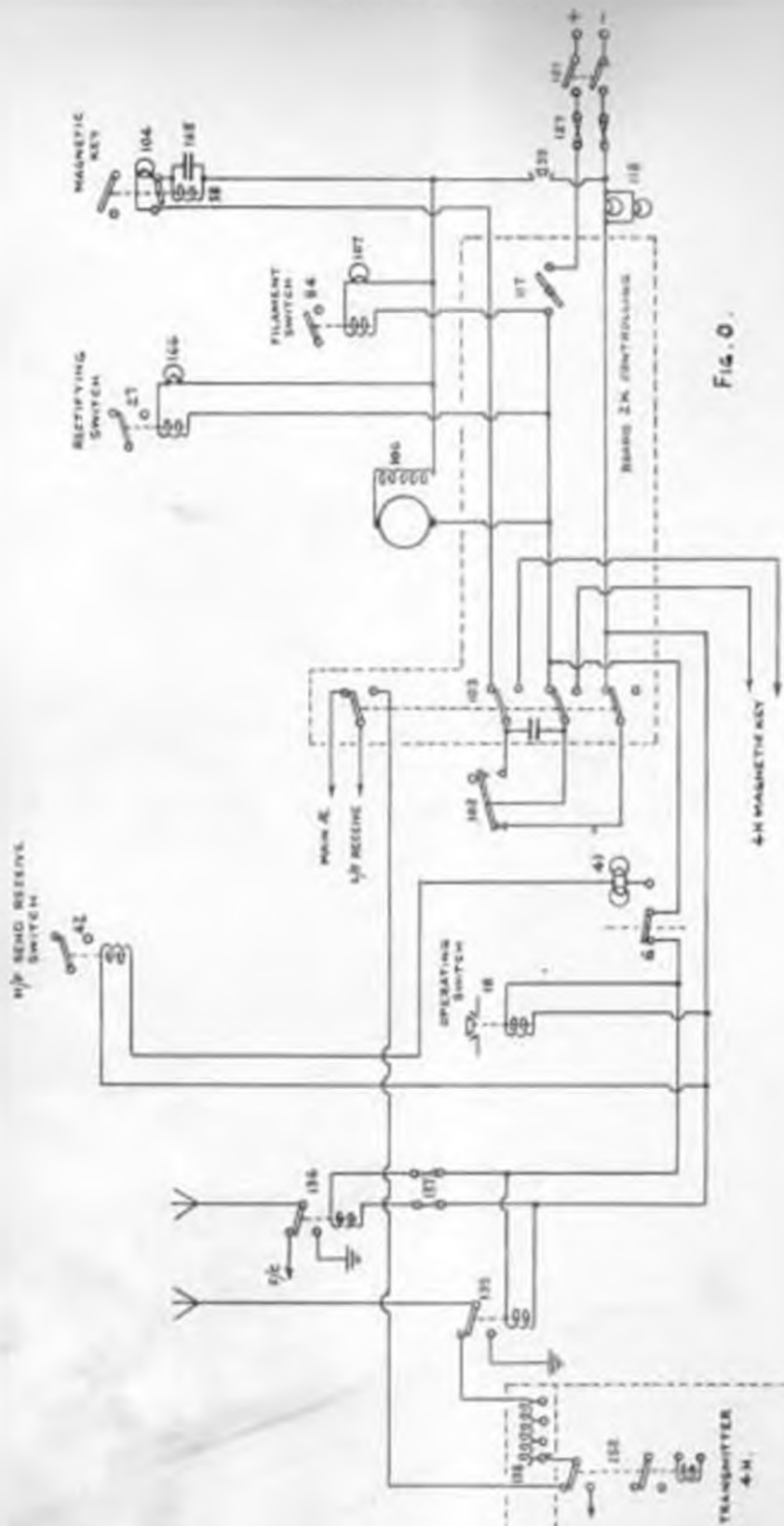
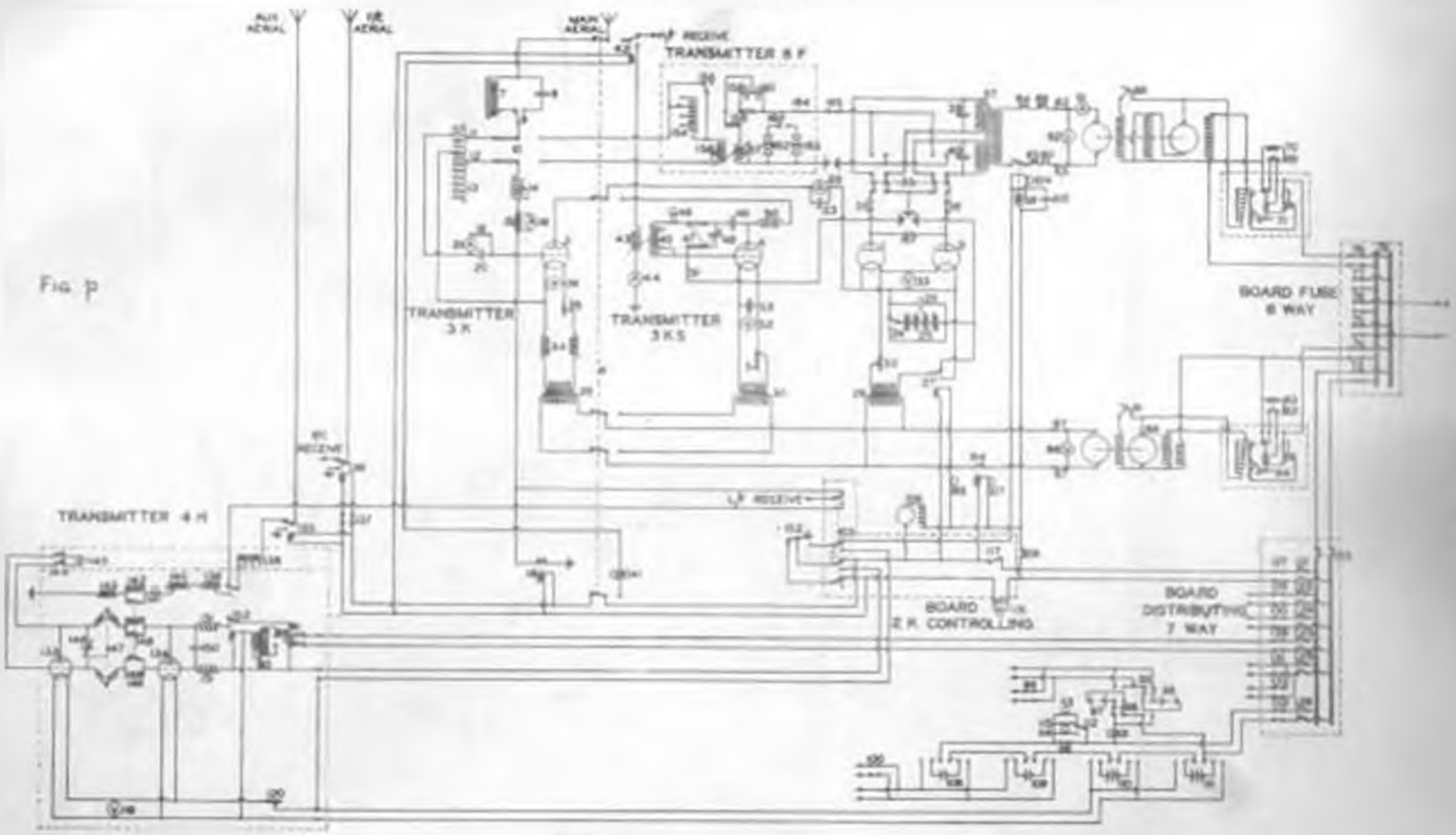


Fig. 0.

TYPE 37S

Fig. p



TYPE 37S TRANSMITTER 4H

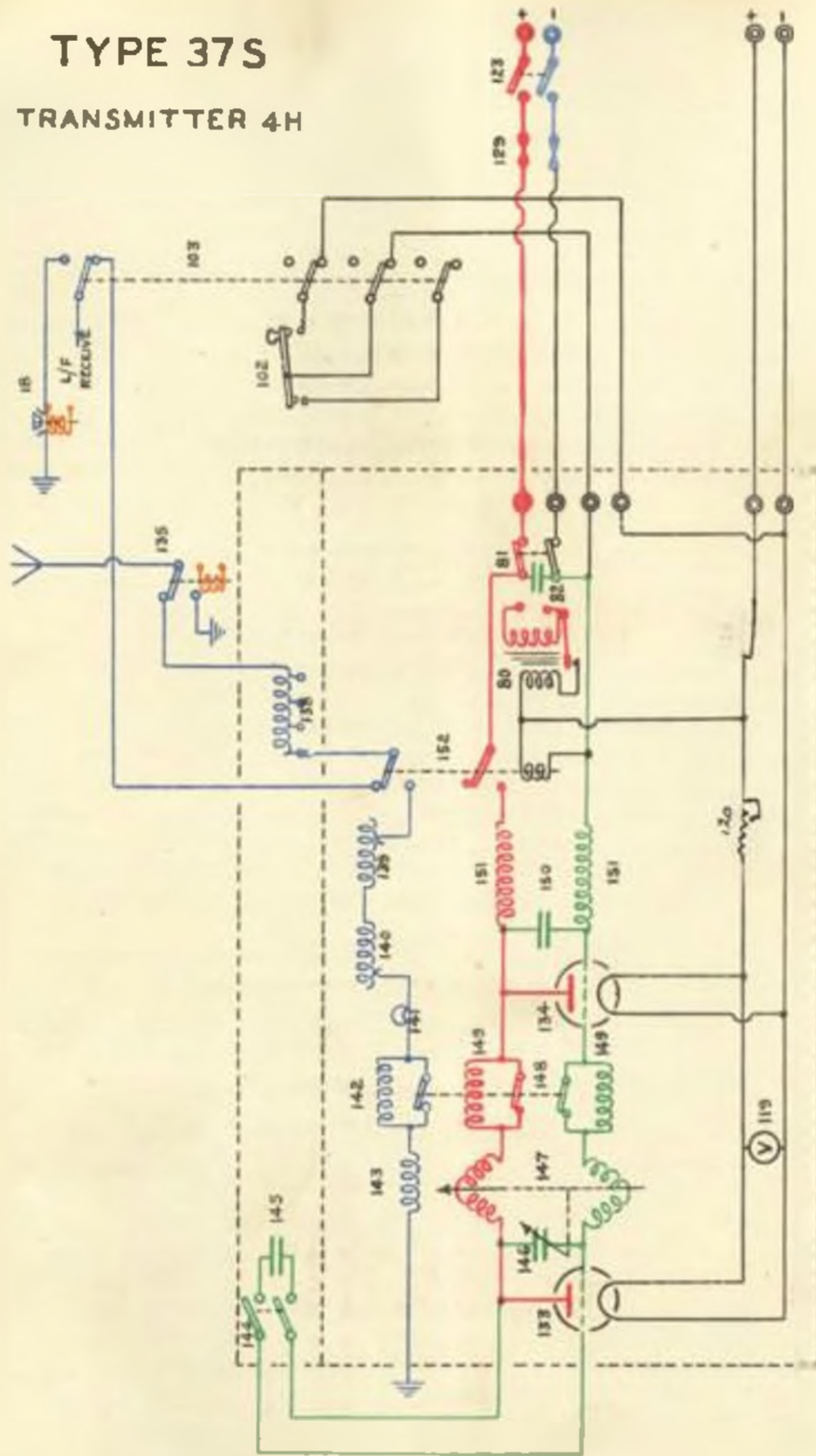
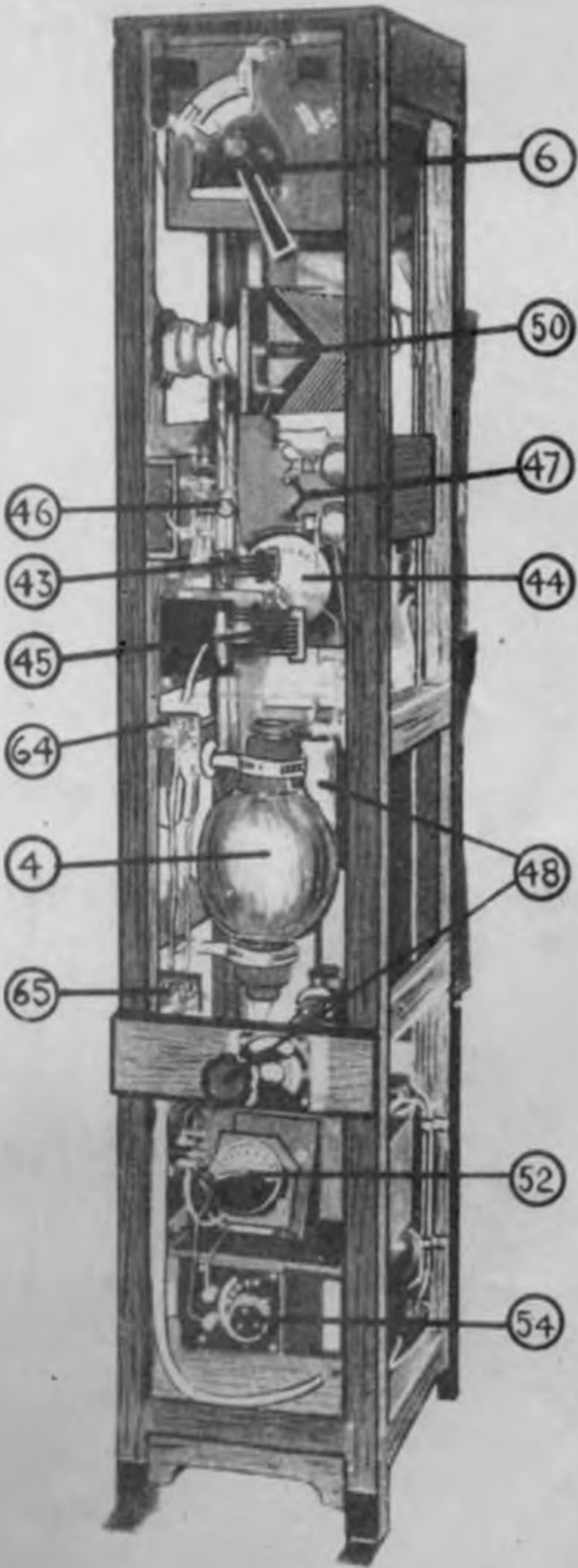
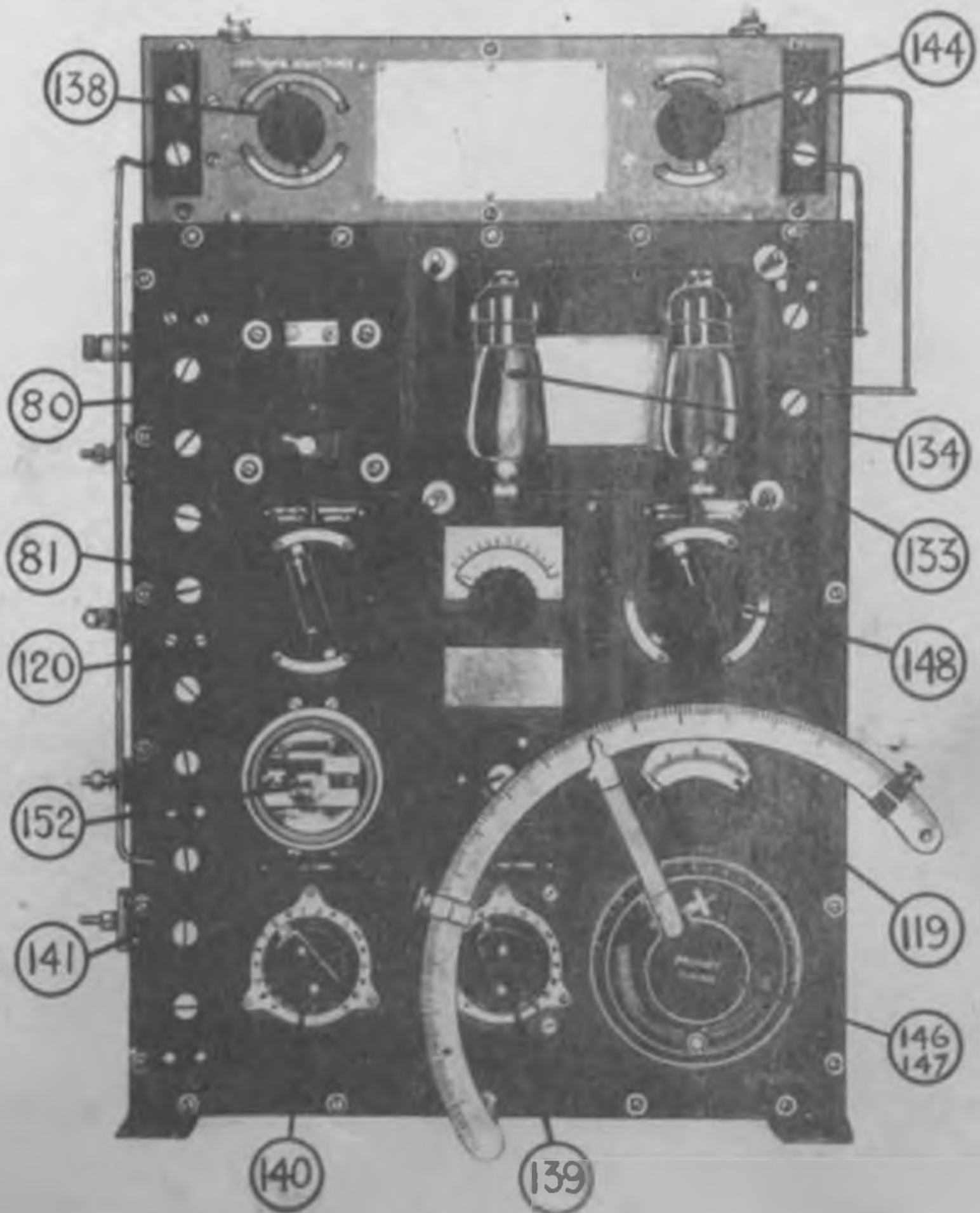


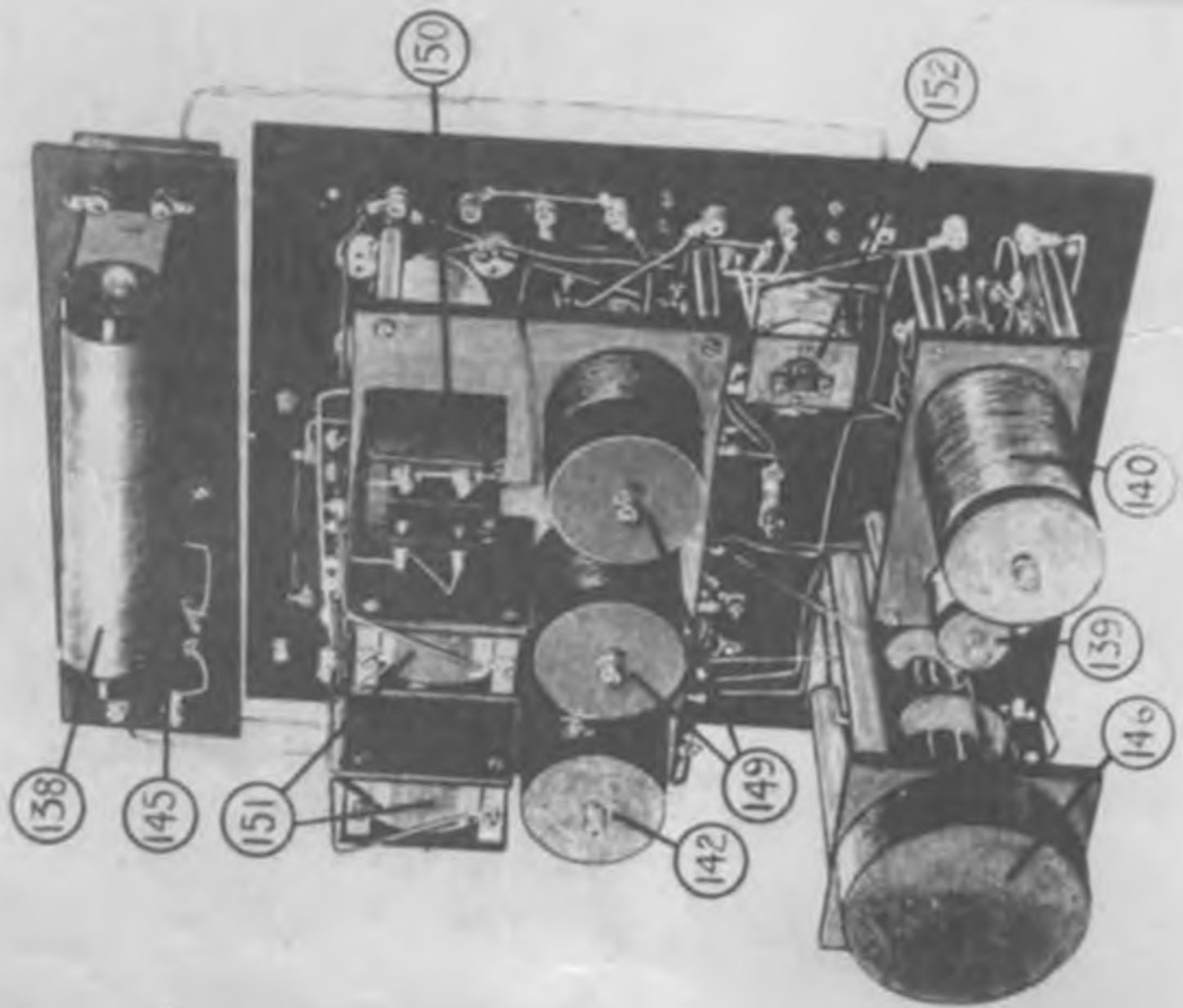
Fig. 100



PANEL
3KS.

FIG. 7e.





TYPE 37 S

RF13

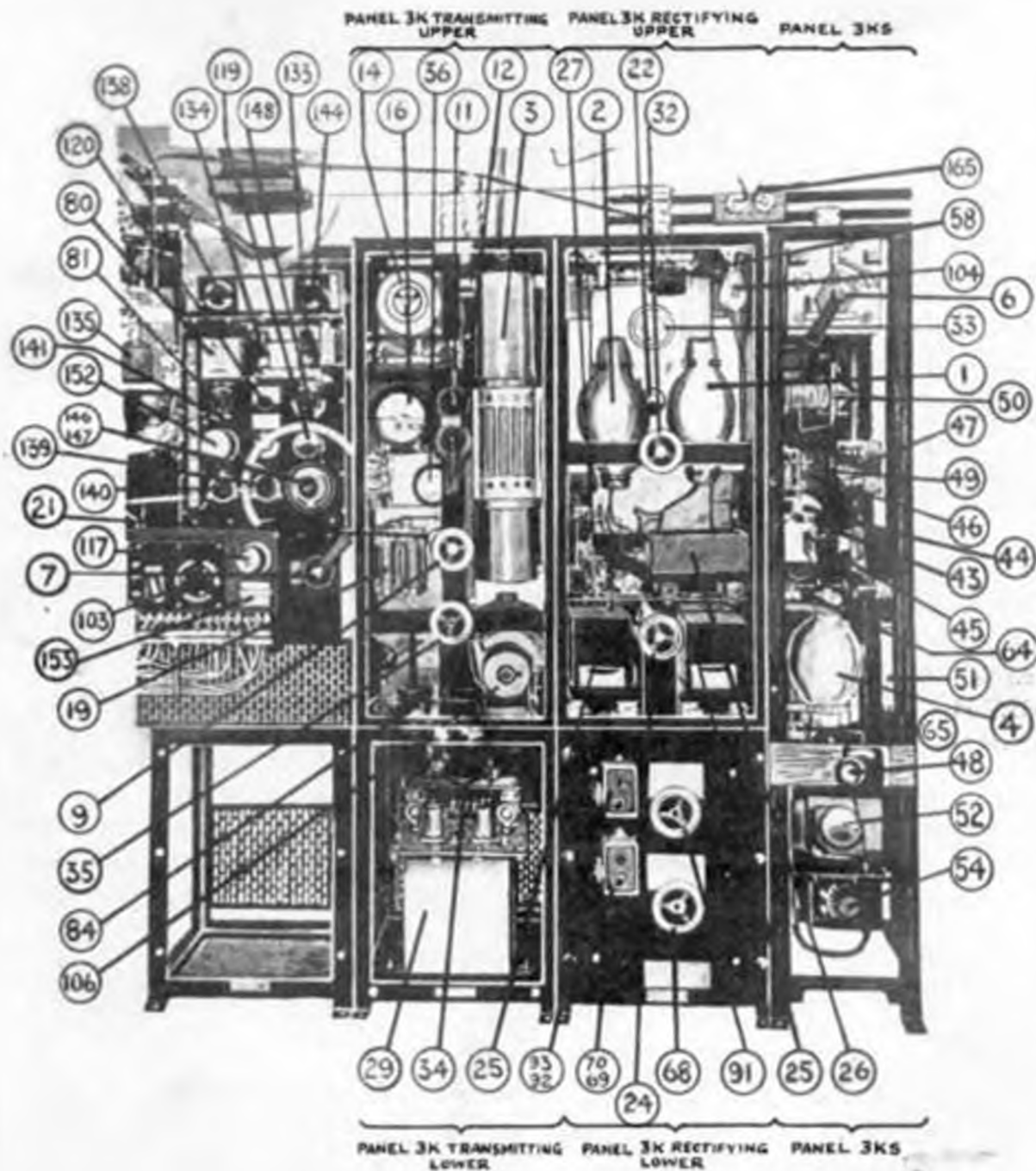


FIG. 9.

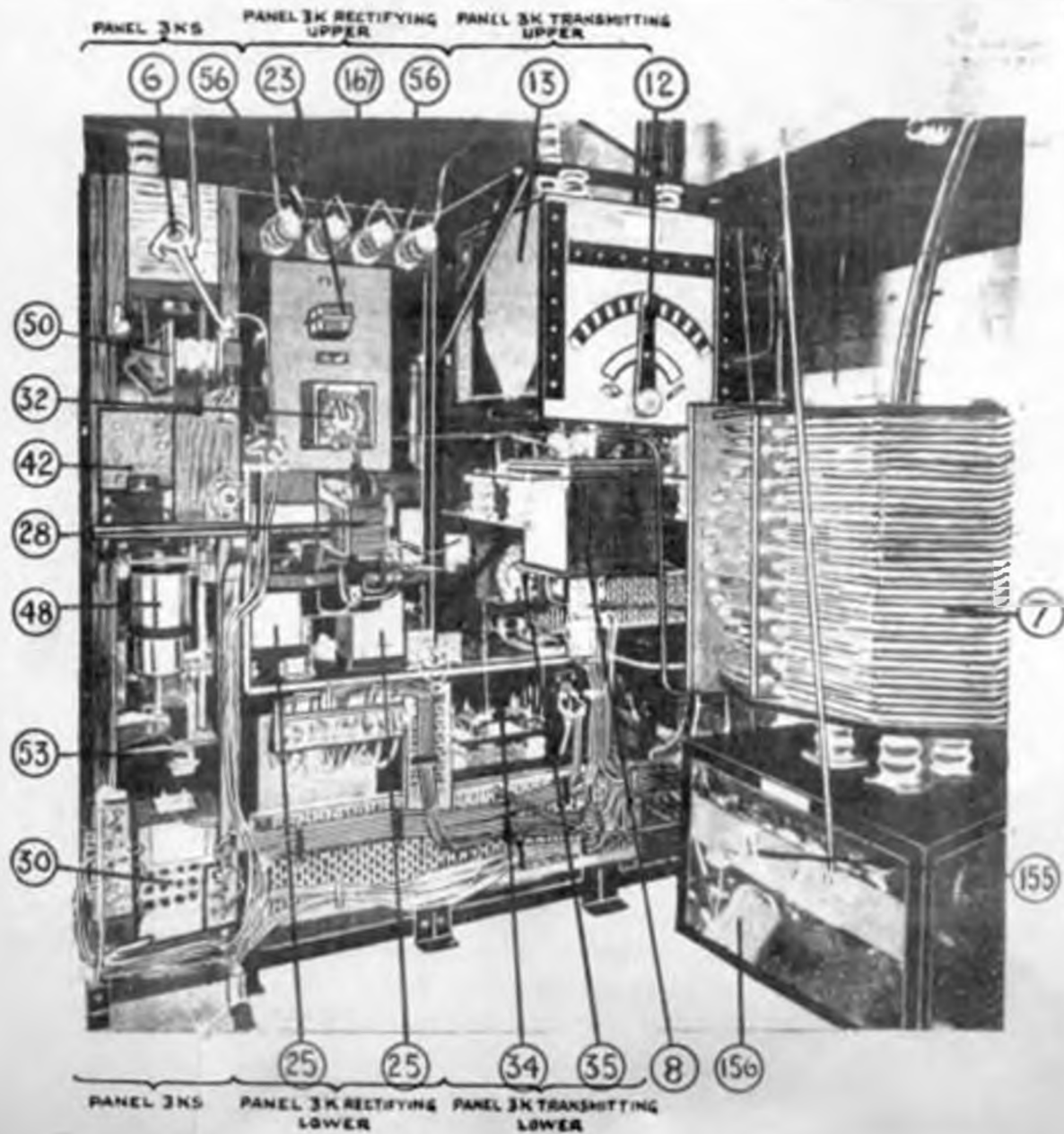


FIG 7